



**DESIGN & APPLICATION ENGINEERS S.A.**  
ILEKTRAS 2 & KIMIS AVENUE, 15122 MAROUSSI  
TEL +30 (210)6412233, 2810122 FAX +30 (210)6454825  
e-mail: civeng@mhxme.gr web: www.mhxme.com

Détails



DATE

03/07/2026

Pg

1/14

### **Metropolitan Expo Athens**

#### **Temps d'étude**

2007

#### **Budget (€)**

26.00

#### **Employeur**

ARCON CONSTRUCTIONS

#### **Propriétaire**

ATHENS  
METROPOLITAN  
EXPO S.A.

#### **Position**

El. Venizelos Airport Athens

The best Exhibition and Conference Centre of Greece was constructed inside a 140,000 m2 plot at the El.Venizelos Athens International Airport, covering a 55,000 m2 area, out of which 45,000 m2 as Gross Leasable Area (GLA). It houses 4 exhibition halls and 2 conference halls with all supporting and administration areas.

Steel structure on concrete foundation.



**DESIGN & APPLICATION ENGINEERS S.A.**  
ILEKTRAS 2 & KIMIS AVENUE, 15122 MAROUSSI  
TEL +30 (210)6412233, 2810122 FAX +30 (210)6454825  
e-mail: civeng@mhxme.gr web: www.mhxme.com

Détails



DATE

03/07/2026

Pg

2/14

### General Overview





**DESIGN & APPLICATION ENGINEERS S.A.**  
ILEKTRAS 2 & KIMIS AVENUE, 15122 MAROUSSI  
TEL +30 (210)6412233, 2810122 FAX +30 (210)6454825  
e-mail: civeng@mhxme.gr web: www.mhxme.com

Détails



DATE

03/07/2026

Pg

3/14

## General Overview





**DESIGN & APPLICATION ENGINEERS S.A.**  
ILEKTRAS 2 & KIMIS AVENUE, 15122 MAROUSSI  
TEL +30 (210)6412233, 2810122 FAX +30 (210)6454825  
e-mail: civeng@mhxme.gr web: www.mhxme.com

Détails



DATE

03/07/2026

Pg

4/14

*Building views*





**DESIGN & APPLICATION ENGINEERS S.A.**  
ILEKTRAS 2 & KIMIS AVENUE, 15122 MAROUSSI  
TEL +30 (210)6412233, 2810122 FAX +30 (210)6454825  
e-mail: civeng@mhxme.gr web: www.mhxme.com

Détails



DATE

03/07/2026

Pg

5/14

*Main entrance*





**DESIGN & APPLICATION ENGINEERS S.A.**  
ILEKTRAS 2 & KIMIS AVENUE, 15122 MAROUSSI  
TEL +30 (210)6412233, 2810122 FAX +30 (210)6454825  
e-mail: civeng@mhxme.gr web: www.mhxme.com

Détails



DATE

03/07/2026

Pg

6/14

*Main entrance*





**DESIGN & APPLICATION ENGINEERS S.A.**  
ILEKTRAS 2 & KIMIS AVENUE, 15122 MAROUSSI  
TEL +30 (210)6412233, 2810122 FAX +30 (210)6454825  
e-mail: civeng@mhxme.gr web: www.mhxme.com

Détails



DATE

03/07/2026

Pg

7/14

*Outdoor Detail*





**DESIGN & APPLICATION ENGINEERS S.A.**  
ILEKTRAS 2 & KIMIS AVENUE, 15122 MAROUSSI  
TEL +30 (210)6412233, 2810122 FAX +30 (210)6454825  
e-mail: civeng@mhxme.gr web: www.mhxme.com

Détails



DATE

03/07/2026

Pg

8/14

*Entrance Lobby*





**DESIGN & APPLICATION ENGINEERS S.A.**  
ILEKTRAS 2 & KIMIS AVENUE, 15122 MAROUSSI  
TEL +30 (210)6412233, 2810122 FAX +30 (210)6454825  
e-mail: civeng@mhxme.gr web: www.mhxme.com

Détails



DATE

03/07/2026

Pg

9/14

*Exhibition Hall 1*





**DESIGN & APPLICATION ENGINEERS S.A.**  
ILEKTRAS 2 & KIMIS AVENUE, 15122 MAROUSSI  
TEL +30 (210)6412233, 2810122 FAX +30 (210)6454825  
e-mail: civeng@mhxme.gr web: www.mhxme.com

Détails



DATE

03/07/2026

Pg

10/14

*Congress Hall*





**DESIGN & APPLICATION ENGINEERS S.A.**  
ILEKTRAS 2 & KIMIS AVENUE, 15122 MAROUSSI  
TEL +30 (210)6412233, 2810122 FAX +30 (210)6454825  
e-mail: civeng@mhxme.gr web: www.mhxme.com

Détails



DATE

03/07/2026

Pg

11/14

### Construction stages





**DESIGN & APPLICATION ENGINEERS S.A.**  
ILEKTRAS 2 & KIMIS AVENUE, 15122 MAROUSSI  
TEL +30 (210)6412233, 2810122 FAX +30 (210)6454825  
e-mail: civeng@mhxme.gr web: www.mhxme.com

Détails



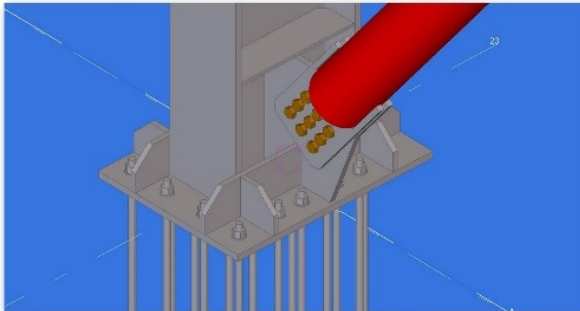
DATE

03/07/2026

Pg

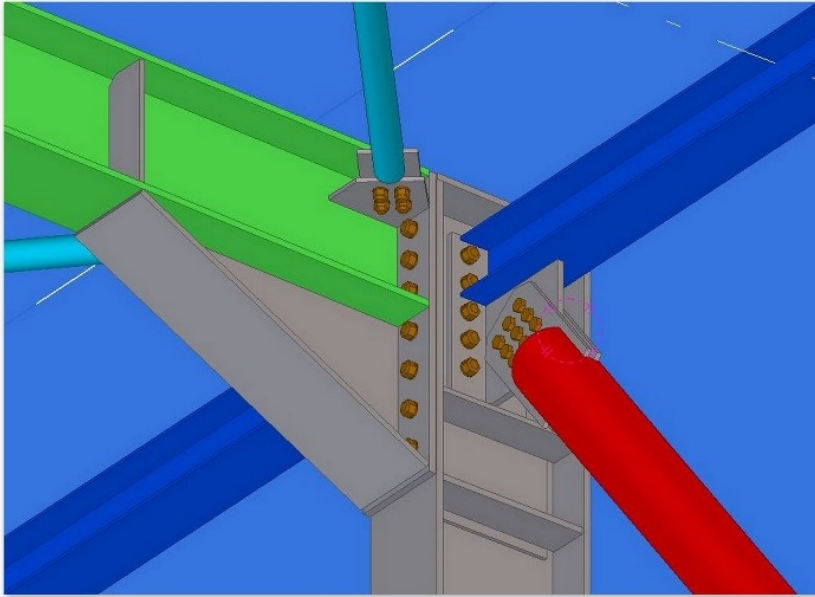
12/14

*Column support detail-Model*





*Joint detail-Model*





*Bracing Detail-Model*

