
	<b>DESIGN &amp; APPLICATION ENGINEERS S.A.</b> ILEKTRAS 2 & KIMIS AVENUE, 15122 MAROUSSI TEL +30 (210)6412233, 2810122 FAX +30 (210)6454825 e-mail: civeng@mhxme.gr web: www.mhxme.com	Détails			
		DATE	03/07/2026	Pg	

### **Thisvi 421.6 MW Combined Cycle Power Plant**

<b>Temps d'étude</b>	<b>Budget (€)</b>	<b>Employeur</b>
2007-2010	120.00	J/V AKTOR SA-EDISON Spa
	<b>Propriétaire</b>	<b>Position</b>
	ELPEDISON POWER	Thisvi, Viotia

Combined Cycle Power Plant, located at Thisvi, Viotia with maximum capacity 421.6MW running on natural gas, which also includes a 400KV substation and a high voltage transmission power-line. The plant is equipped with all auxiliary systems necessary for the proper and safe operation of the station and its sub-systems.

Owner of the unit is the company ELPEDISON S.A. (EDISON, ELPE, ELLAKTOR), the second company in installed power in Greece.

The plot area is 101.120 m<sup>2</sup>, while the superstructures and substructures cover approximately 24.000m<sup>2</sup>.

The turbines (GT/ST/GEN) are supplied by ANSALDO, the HRSG from NOOTER ERIKSEN, the air cooled condenser by GEA and the transformers by TAMINI. The commercial operation of the plant started in August 2010 and from 9/12/2010 the unit is operating at full power.

The detailed construction design was carried out initially on behalf of EDISON Spa and then on behalf of the construction joint venture (EDISON, AKTOR) and refers to all Civil Engineering works of the plant (buildings, foundations, equipment bases and supports, piperacks, underground installations and networks, roads and paving, landscaping etc. 850 drawings and calculations were issued, while all necessary building permits were issued. Our company was also responsible under law for the technical supervision of all civil engineering activities.



**DESIGN & APPLICATION ENGINEERS S.A.**  
ILEKTRAS 2 & KIMIS AVENUE, 15122 MAROUSSI  
TEL +30 (210)6412233, 2810122 FAX +30 (210)6454825  
e-mail: civeng@mhxme.gr web: www.mhxme.com

Détails



DATE

03/07/2026

Pg

2/17

*Power Plant Aerial View*





**DESIGN & APPLICATION ENGINEERS S.A.**  
ILEKTRAS 2 & KIMIS AVENUE, 15122 MAROUSSI  
TEL +30 (210)6412233, 2810122 FAX +30 (210)6454825  
e-mail: civeng@mhxme.gr web: www.mhxme.com

Détails



DATE

03/07/2026

Pg

3/17

*Panoramic View*





**DESIGN & APPLICATION ENGINEERS S.A.**  
ILEKTRAS 2 & KIMIS AVENUE, 15122 MAROUSSI  
TEL +30 (210)6412233, 2810122 FAX +30 (210)6454825  
e-mail: civeng@mhxme.gr web: www.mhxme.com

Détails



DATE

03/07/2026

Pg

4/17

### General View of Power Units





**DESIGN & APPLICATION ENGINEERS S.A.**  
ILEKTRAS 2 & KIMIS AVENUE, 15122 MAROUSSI  
TEL +30 (210)6412233, 2810122 FAX +30 (210)6454825  
e-mail: civeng@mhxme.gr web: www.mhxme.com

Détails



DATE

03/07/2026

Pg

5/17

*General View*





**DESIGN & APPLICATION ENGINEERS S.A.**  
ILEKTRAS 2 & KIMIS AVENUE, 15122 MAROUSSI  
TEL +30 (210)6412233, 2810122 FAX +30 (210)6454825  
e-mail: civeng@mhxme.gr web: www.mhxme.com

Détails



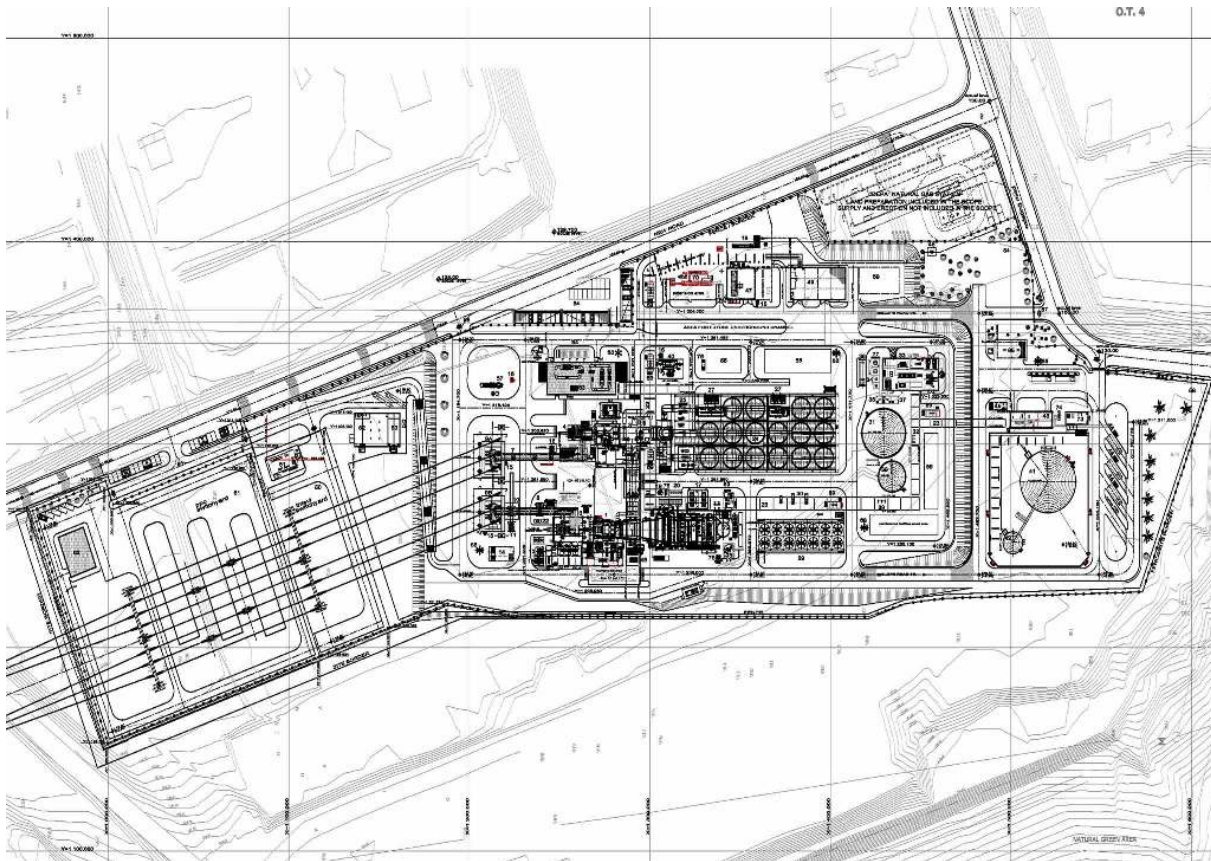
DATE

03/07/2026

Pg

6/17

### General Layout Drawing





**DESIGN & APPLICATION ENGINEERS S.A.**  
ILEKTRAS 2 & KIMIS AVENUE, 15122 MAROUSSI  
TEL +30 (210)6412233, 2810122 FAX +30 (210)6454825  
e-mail: civeng@mhxme.gr web: www.mhxme.com

Détails



DATE

03/07/2026

Pg

7/17

*Power Production Units*





**DESIGN & APPLICATION ENGINEERS S.A.**  
ILEKTRAS 2 & KIMIS AVENUE, 15122 MAROUSSI  
TEL +30 (210)6412233, 2810122 FAX +30 (210)6454825  
e-mail: civeng@mhxme.gr web: www.mhxme.com

Détails



DATE

03/07/2026

Pg

8/17

## *Heat Recovery Steam Generator*





**DESIGN & APPLICATION ENGINEERS S.A.**  
ILEKTRAS 2 & KIMIS AVENUE, 15122 MAROUSSI  
TEL +30 (210)6412233, 2810122 FAX +30 (210)6454825  
e-mail: civeng@mhxme.gr web: www.mhxme.com

Détails



DATE

03/07/2026

Pg

9/17

*HRSG Stack 60m high*





**DESIGN & APPLICATION ENGINEERS S.A.**  
ILEKTRAS 2 & KIMIS AVENUE, 15122 MAROUSSI  
TEL +30 (210)6412233, 2810122 FAX +30 (210)6454825  
e-mail: civeng@mhxme.gr web: www.mhxme.com

Détails



DATE

03/07/2026

Pg

10/17

*Pipe rack*





**DESIGN & APPLICATION ENGINEERS S.A.**  
ILEKTRAS 2 & KIMIS AVENUE, 15122 MAROUSSI  
TEL +30 (210)6412233, 2810122 FAX +30 (210)6454825  
e-mail: civeng@mhxme.gr web: www.mhxme.com

Détails



DATE

03/07/2026

Pg

11/17

*ACC-Main Pipe rack*





**DESIGN & APPLICATION ENGINEERS S.A.**  
ILEKTRAS 2 & KIMIS AVENUE, 15122 MAROUSSI  
TEL +30 (210)6412233, 2810122 FAX +30 (210)6454825  
e-mail: civeng@mhxme.gr web: www.mhxme.com

Détails



DATE

03/07/2026

Pg

12/17

*Main Transformers T1-T2*





**DESIGN & APPLICATION ENGINEERS S.A.**  
 ILEKTRAS 2 & KIMIS AVENUE, 15122 MAROUSSI  
 TEL +30 (210)6412233, 2810122 FAX +30 (210)6454825  
 e-mail: civeng@mhxme.gr web: www.mhxme.com

Détails



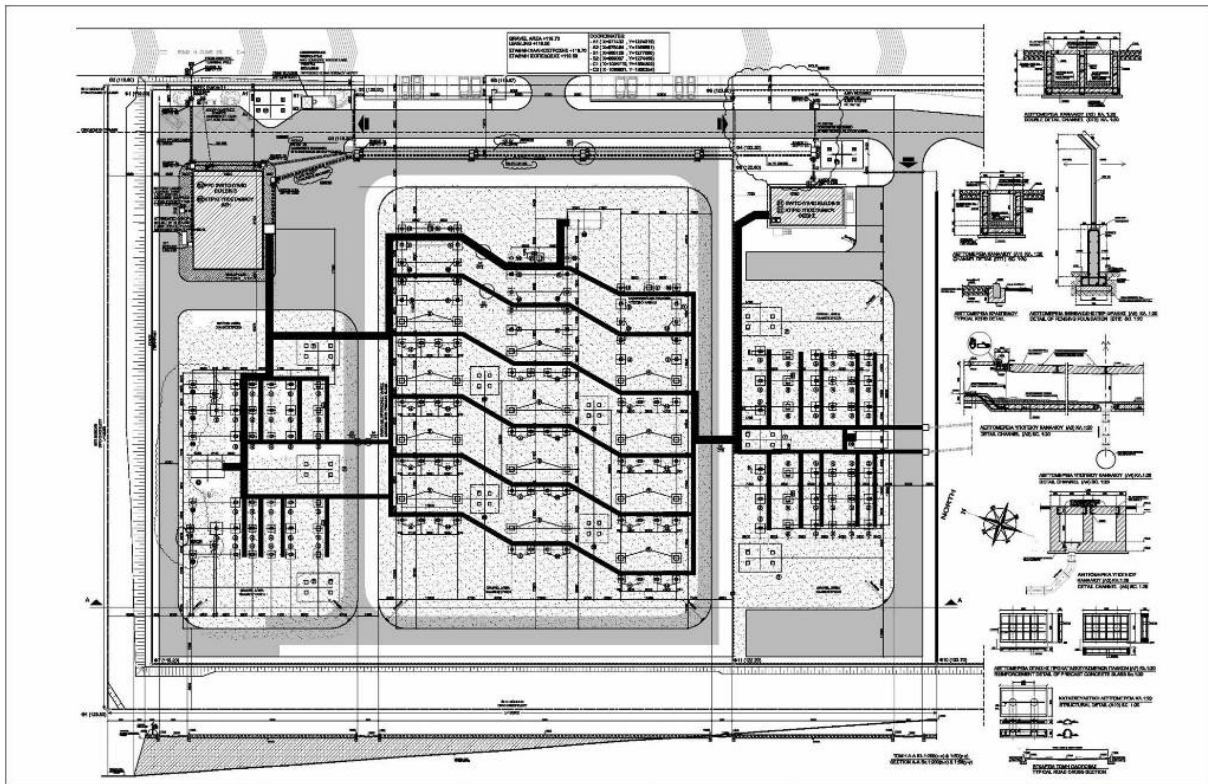
DATE

03/07/2026

Pg

13/17

*Substation General Layout Drawing*



CLIENT:	THISVI COMBINED CYCLE POWER PLANT 421 MW	CIVIL WORKS CONSTRUCTION DESIGN	DWG NUMBER:	TITLE:	DESIGNER:
		MAY 2008 - MAY 2010	J110PLEC551	400kV SUBSTATION GENERAL LAYOUT	



**DESIGN & APPLICATION ENGINEERS S.A.**  
ILEKTRAS 2 & KIMIS AVENUE, 15122 MAROUSI  
TEL +30 (210)6412233, 2810122 FAX +30 (210)6454825  
e-mail: civeng@mhxme.gr web: www.mhxme.com

Détails



DATE

03/07/2026

Pg

14/17

*400 KV Substation General View*





**DESIGN & APPLICATION ENGINEERS S.A.**  
ILEKTRAS 2 & KIMIS AVENUE, 15122 MAROUSSI  
TEL +30 (210)6412233, 2810122 FAX +30 (210)6454825  
e-mail: civeng@mhxme.gr web: www.mhxme.com

Détails



DATE

03/07/2026

Pg

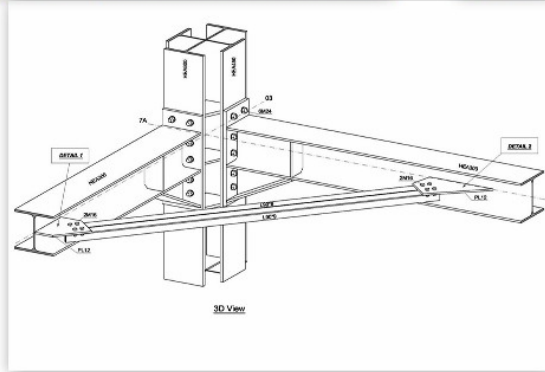
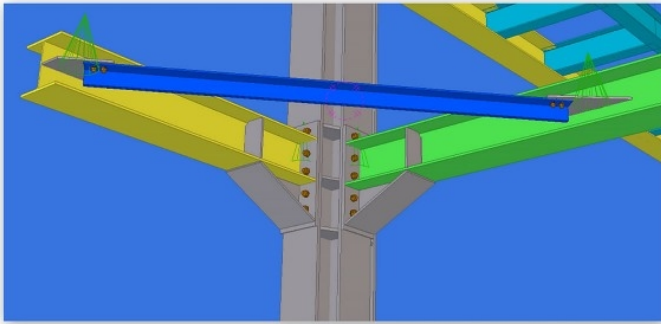
15/17

## Substation Equipment





*Pipe Rack Steel Joint (Model-Drawing-As built)*





**DESIGN & APPLICATION ENGINEERS S.A.**  
ILEKTRAS 2 & KIMIS AVENUE, 15122 MAROUSSI  
TEL +30 (210)6412233, 2810122 FAX +30 (210)6454825  
e-mail: civeng@mhxme.gr web: www.mhxme.com

Détails



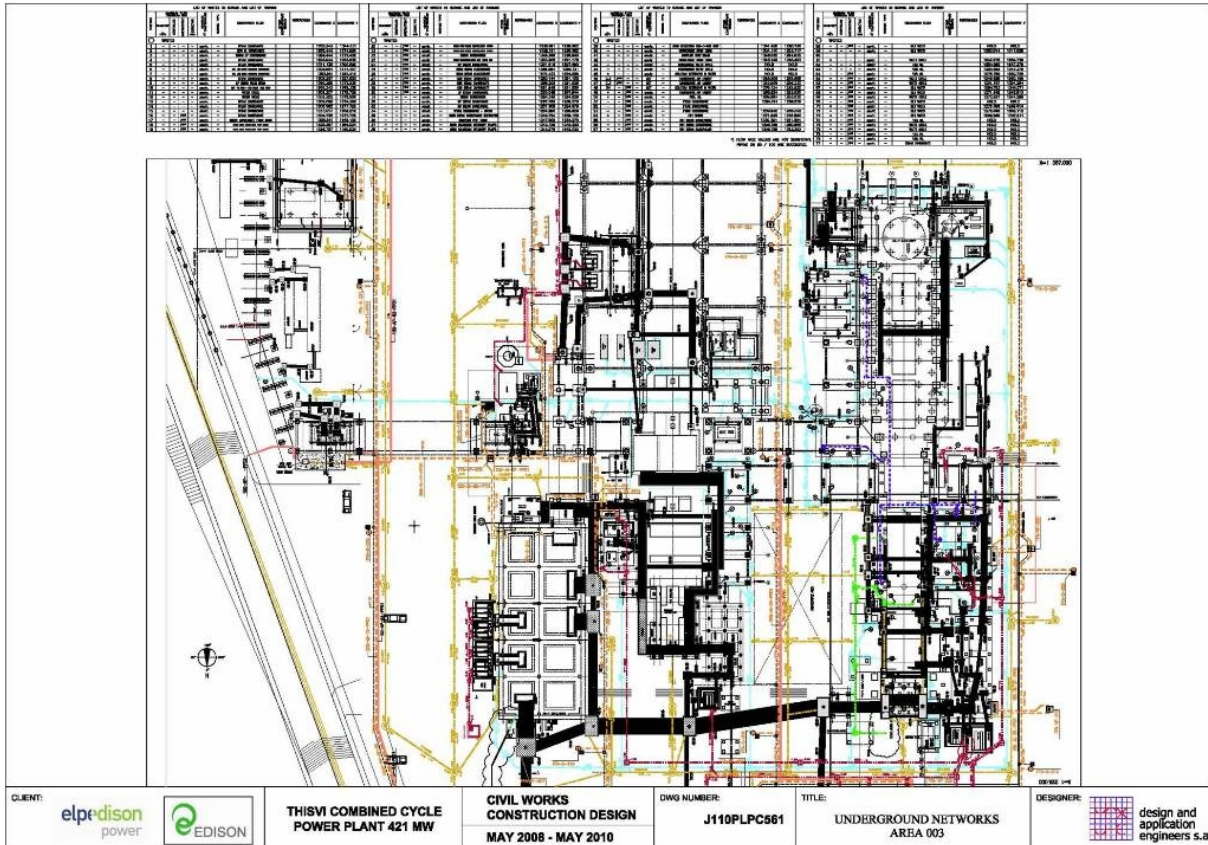
DATE

03/07/2026

Pg

17/17

### Underground Networks Partial Drawing



CLIENT:



**THISVI COMBINED CYCLE  
POWER PLANT 421 MW**

**CIVIL WORKS  
CONSTRUCTION DESIGN  
MAY 2008 - MAY 2010**

DWG NUMBER:

**J110PLC561**

TITLE:

**UNDERGROUND NETWORKS  
AREA 003**

DESIGNER:



**design and  
application  
engineers s.a.**