
	DESIGN & APPLICATION ENGINEERS S.A. ILEKTRAS 2 & KIMIS AVENUE, 15122 MAROUSSI TEL +30 (210)6412233, 2810122 FAX +30 (210)6454825 e-mail: civeng@mhxme.gr web: www.mhxme.com	Einzelheiten			
		DATUM	24/04/2026	Pg	

Thisvi 421.6 MW Combined Cycle Power Plant

Zeit-Studie	Budget (€)	Arbeitgeber
2007-2010	120,000,000.00	J/V AKTOR SA-EDISON Spa
	Besitzer	Position
	ELPEDISON POWER	Thisvi Viotia

Combined Cycle Power Plant, located at Thisvi, Viotia with maximum capacity 421.6MW running on natural gas, which also includes a 400KV substation and a high voltage transmission power-line. The plant is equipped with all auxiliary systems necessary for the proper and safe operation of the station and its sub-systems.

Owner of the unit is the company ELPEDISON S.A. (EDISON, ELPE, ELLAKTOR), the second company in installed power in Greece.

The plot area is 101.120 m², while the superstructures and substructures cover approximately 24.000m².

The turbines (GT/ST/GEN) are supplied by ANSALDO, the HRSG from NOOTER ERIKSEN, the air cooled condenser by GEA and the transformers by TAMINI. The commercial operation of the plant started in August 2010 and from 9/12/2010 the unit is operating at full power.

The detailed construction design was carried out initially on behalf of EDISON Spa and then on behalf of the construction joint venture (EDISON, AKTOR) and refers to all Civil Engineering works of the plant (buildings, foundations, equipment bases and supports, piperacks, underground installations and networks, roads and paving, landscaping etc. 850 drawings and calculations were issued, while all necessary building permits were issued. Our company was also responsible under law for the technical supervision of all civil engineering activities.



DESIGN & APPLICATION ENGINEERS S.A.
ILEKTRAS 2 & KIMIS AVENUE, 15122 MAROUSSI
TEL +30 (210)6412233, 2810122 FAX +30 (210)6454825
e-mail: civeng@mhxme.gr web: www.mhxme.com

Einzelheiten



DATUM

24/04/2026

Pg

2/17

Power Plant Aerial View





DESIGN & APPLICATION ENGINEERS S.A.
ILEKTRAS 2 & KIMIS AVENUE, 15122 MAROUSSI
TEL +30 (210)6412233, 2810122 FAX +30 (210)6454825
e-mail: civeng@mhxme.gr web: www.mhxme.com

Einzelheiten



DATUM

24/04/2026

Pg

3/17

Panoramic View





DESIGN & APPLICATION ENGINEERS S.A.
ILEKTRAS 2 & KIMIS AVENUE, 15122 MAROUSSI
TEL +30 (210)6412233, 2810122 FAX +30 (210)6454825
e-mail: civeng@mhxme.gr web: www.mhxme.com

Einzelheiten



DATUM

24/04/2026

Pg

4/17

General View of Power Units





DESIGN & APPLICATION ENGINEERS S.A.
ILEKTRAS 2 & KIMIS AVENUE, 15122 MAROUSSI
TEL +30 (210)6412233, 2810122 FAX +30 (210)6454825
e-mail: civeng@mhxme.gr web: www.mhxme.com

Einzelheiten



DATUM

24/04/2026

Pg

5/17

General View





DESIGN & APPLICATION ENGINEERS S.A.
ILEKTRAS 2 & KIMIS AVENUE, 15122 MAROUSSI
TEL +30 (210)6412233, 2810122 FAX +30 (210)6454825
e-mail: civeng@mhxme.gr web: www.mhxme.com

Einzelheiten



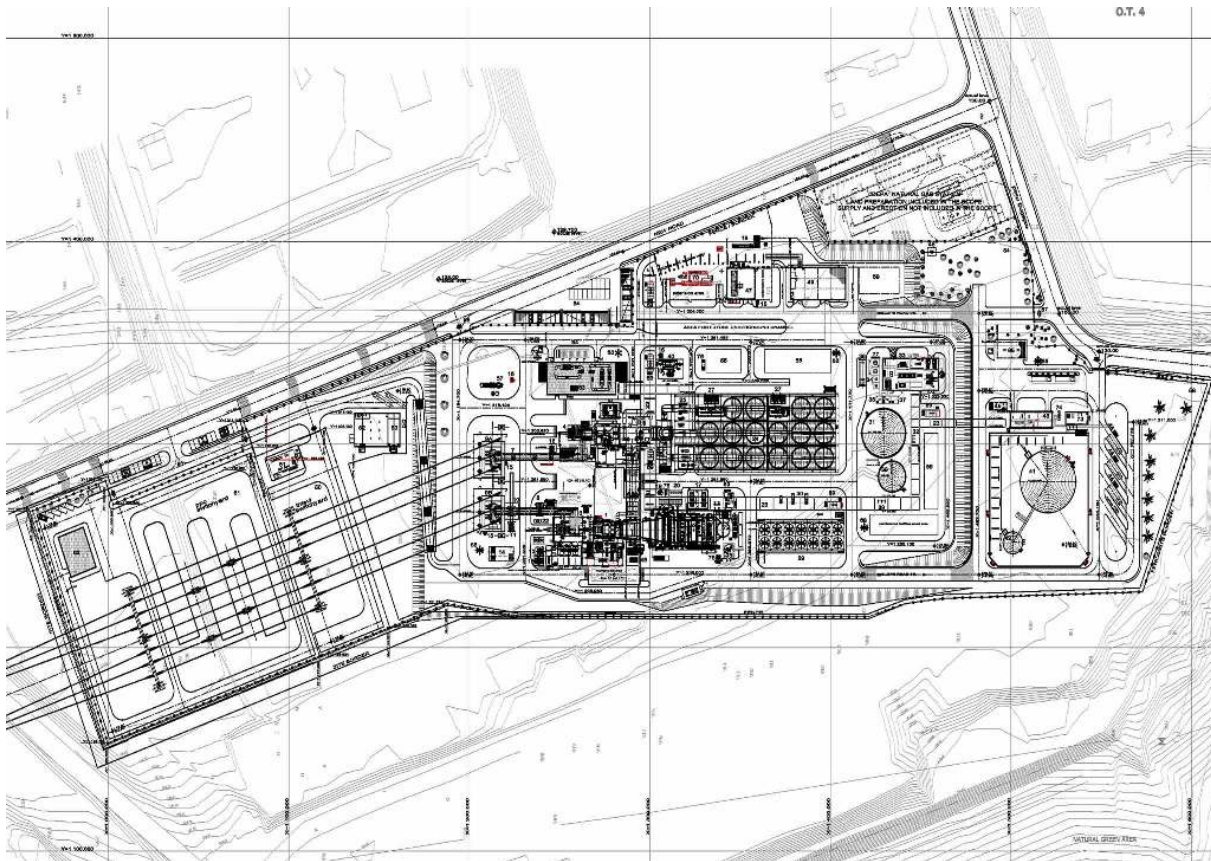
DATUM

24/04/2026

Pg

6/17

General Layout Drawing





DESIGN & APPLICATION ENGINEERS S.A.
ILEKTRAS 2 & KIMIS AVENUE, 15122 MAROUSSI
TEL +30 (210)6412233, 2810122 FAX +30 (210)6454825
e-mail: civeng@mhxme.gr web: www.mhxme.com

Einzelheiten



DATUM

24/04/2026

Pg

7/17

Power Production Units





DESIGN & APPLICATION ENGINEERS S.A.
ILEKTRAS 2 & KIMIS AVENUE, 15122 MAROUSSI
TEL +30 (210)6412233, 2810122 FAX +30 (210)6454825
e-mail: civeng@mhxme.gr web: www.mhxme.com

Einzelheiten



DATUM

24/04/2026

Pg

8/17

Heat Recovery Steam Generator





DESIGN & APPLICATION ENGINEERS S.A.
ILEKTRAS 2 & KIMIS AVENUE, 15122 MAROUSSI
TEL +30 (210)6412233, 2810122 FAX +30 (210)6454825
e-mail: civeng@mhxme.gr web: www.mhxme.com

Einzelheiten



DATUM

24/04/2026

Pg

9/17

HRSG Stack 60m high





DESIGN & APPLICATION ENGINEERS S.A.
ILEKTRAS 2 & KIMIS AVENUE, 15122 MAROUSSI
TEL +30 (210)6412233, 2810122 FAX +30 (210)6454825
e-mail: civeng@mhxme.gr web: www.mhxme.com

Einzelheiten



DATUM

24/04/2026

Pg

10/17

Pipe rack





DESIGN & APPLICATION ENGINEERS S.A.
ILEKTRAS 2 & KIMIS AVENUE, 15122 MAROUSSI
TEL +30 (210)6412233, 2810122 FAX +30 (210)6454825
e-mail: civeng@mhxme.gr web: www.mhxme.com

Einzelheiten



DATUM

24/04/2026

Pg

11/17

ACC-Main Pipe rack





DESIGN & APPLICATION ENGINEERS S.A.
ILEKTRAS 2 & KIMIS AVENUE, 15122 MAROUSSI
TEL +30 (210)6412233, 2810122 FAX +30 (210)6454825
e-mail: civeng@mhxme.gr web: www.mhxme.com

Einzelheiten



DATUM

24/04/2026

Pg

12/17

Main Transformers T1-T2





DESIGN & APPLICATION ENGINEERS S.A.
 ILEKTRAS 2 & KIMIS AVENUE, 15122 MAROUSSI
 TEL +30 (210)6412233, 2810122 FAX +30 (210)6454825
 e-mail: civeng@mhxme.gr web: www.mhxme.com

Einzelheiten



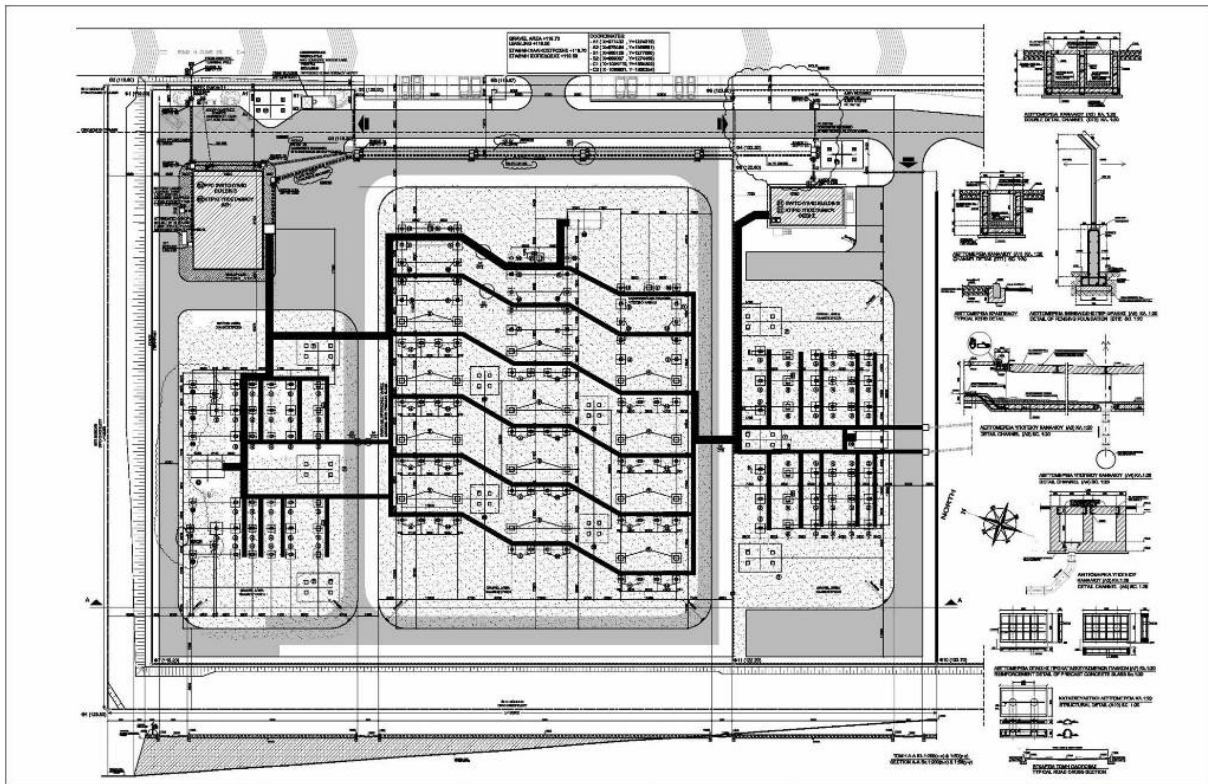
DATUM

24/04/2026

Pg

13/17

Substation General Layout Drawing



CLIENT: elpe power	EDISON	THISVI COMBINED CYCLE POWER PLANT 421 MW	CIVIL WORKS CONSTRUCTION DESIGN	DWG NUMBER: J110PLEC551	TITLE: 400kV SUBSTATION GENERAL LAYOUT	DESIGNER: design and application engineers s.a.
			MAY 2008 - MAY 2010			



DESIGN & APPLICATION ENGINEERS S.A.
ILEKTRAS 2 & KIMIS AVENUE, 15122 MAROUSSI
TEL +30 (210)6412233, 2810122 FAX +30 (210)6454825
e-mail: civeng@mhxme.gr web: www.mhxme.com

Einzelheiten



DATUM

24/04/2026

Pg

14/17

400 KV Substation General View





DESIGN & APPLICATION ENGINEERS S.A.
ILEKTRAS 2 & KIMIS AVENUE, 15122 MAROUSSI
TEL +30 (210)6412233, 2810122 FAX +30 (210)6454825
e-mail: civeng@mhxme.gr web: www.mhxme.com

Einzelheiten



DATUM

24/04/2026

Pg

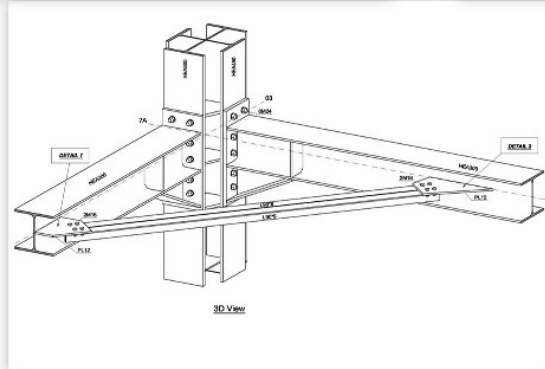
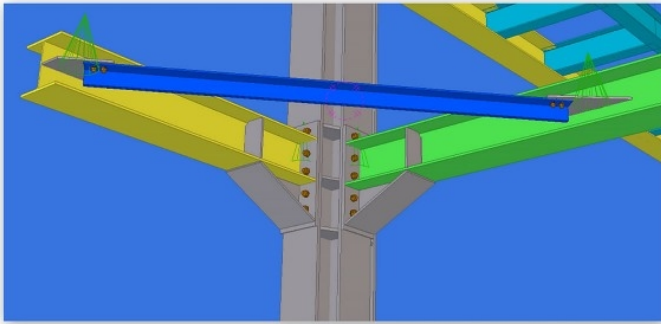
15/17

Substation Equipment





Pipe Rack Steel Joint (Model-Drawing-As built)





DESIGN & APPLICATION ENGINEERS S.A.
ILEKTRAS 2 & KIMIS AVENUE, 15122 MAROUSSI
TEL +30 (210)6412233, 2810122 FAX +30 (210)6454825
e-mail: civeng@mhxme.gr web: www.mhxme.com

Einzelheiten



DATUM

24/04/2026

Pg

17/17

Underground Networks Partial Drawing

