



DESIGN & APPLICATION ENGINEERS S.A.
ILEKTRAS 2 & KIMIS AVENUE, 15122 MAROUSSI
TEL +30 (210)6412233, 2810122 FAX +30 (210)6454825
e-mail: civeng@mhxme.gr web: www.mhxme.com

Einzelheiten



DATUM

24/04/2026

Pg

1/9

Bourazani New Bridge

Zeit-Studie

2008

Budget (€)

2,000,000.00

Arbeitgeber

Epirus Department

Besitzer

Position

Bourazani Konitsa

Arch type 3-span reinforced concrete bridge located at Bourazani Konitsa Ioannina, covered with stone, so as to resemble with traditional rock brodge.



DESIGN & APPLICATION ENGINEERS S.A.
ILEKTRAS 2 & KIMIS AVENUE, 15122 MAROUSSI
TEL +30 (210)6412233, 2810122 FAX +30 (210)6454825
e-mail: civeng@mhxme.gr web: www.mhxme.com

Einzelheiten



DATUM

24/04/2026

Pg

2/9

Bridge View





DESIGN & APPLICATION ENGINEERS S.A.
ILEKTRAS 2 & KIMIS AVENUE, 15122 MAROUSSI
TEL +30 (210)6412233, 2810122 FAX +30 (210)6454825
e-mail: civeng@mhxme.gr web: www.mhxme.com

Einzelheiten



DATUM

24/04/2026

Pg

3/9

General View





DESIGN & APPLICATION ENGINEERS S.A.
ILEKTRAS 2 & KIMIS AVENUE, 15122 MAROUSSI
TEL +30 (210)6412233, 2810122 FAX +30 (210)6454825
e-mail: civeng@mhxme.gr web: www.mhxme.com

Einzelheiten



DATUM

24/04/2026

Pg

4/9

River view of bridge





DESIGN & APPLICATION ENGINEERS S.A.
ILEKTRAS 2 & KIMIS AVENUE, 15122 MAROUSSI
TEL +30 (210)6412233, 2810122 FAX +30 (210)6454825
e-mail: civeng@mhxme.gr web: www.mhxme.com

Einzelheiten



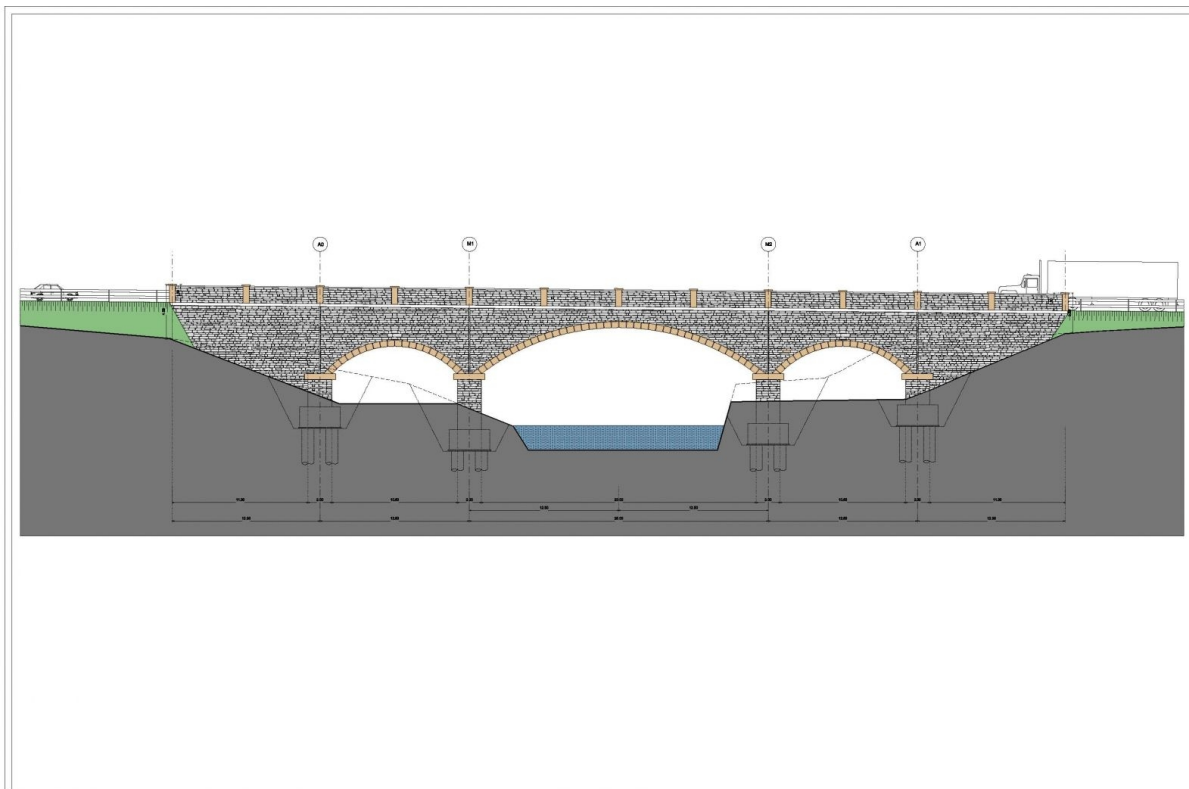
DATUM

24/04/2026

Pg

5/9

Architectural Elevation



ΝΟΜΟΣ ΙΩΑΝΝΙΝΩΝ - ΚΑΤΑΣΚΕΥΗ ΓΕΦΥΡΑΣ ΣΤΟ ΜΠΟΥΡΑΖΑΝΙ ΣΤΗΝ ΕΥΡΥΤΕΡΗ ΠΕΡΙΟΧΗ ΠΩΓΩΝΙΟΥ ΚΟΝΙΤΣΑΣ - ΟΨΗ ΤΕΧΝΙΚΟΥ

ΚΛ. 1 : 250



DESIGN & APPLICATION ENGINEERS S.A.
ILEKTRAS 2 & KIMIS AVENUE, 15122 MAROUSSI
TEL +30 (210)6412233, 2810122 FAX +30 (210)6454825
e-mail: civeng@mhxme.gr web: www.mhxme.com

Einzelheiten



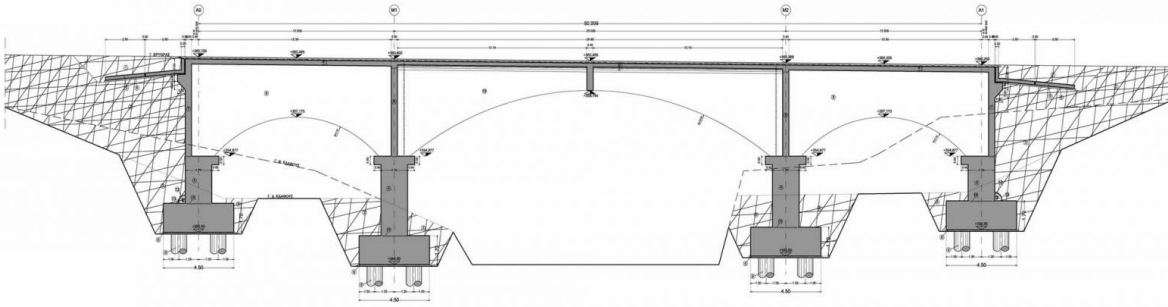
DATUM

24/04/2026

Pg

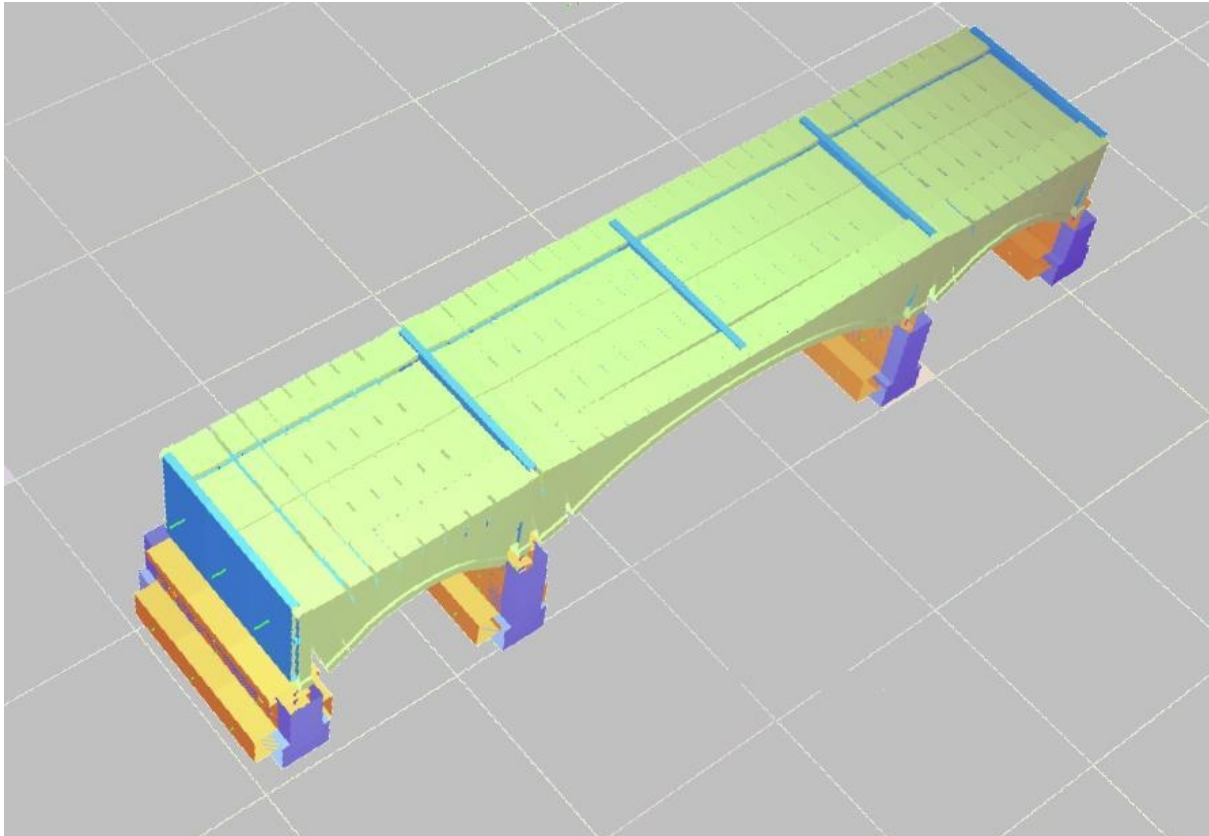
6/9

Longitudinal Section Drawing





Analysis model view





DESIGN & APPLICATION ENGINEERS S.A.
ILEKTRAS 2 & KIMIS AVENUE, 15122 MAROUSSI
TEL +30 (210)6412233, 2810122 FAX +30 (210)6454825
e-mail: civeng@mhxme.gr web: www.mhxme.com

Einzelheiten



DATUM

24/04/2026

Pg

8/9

Natural Model photos





DESIGN & APPLICATION ENGINEERS S.A.
ILEKTRAS 2 & KIMIS AVENUE, 15122 MAROUSSI
TEL +30 (210)6412233, 2810122 FAX +30 (210)6454825
e-mail: civeng@mhxme.gr web: www.mhxme.com

Einzelheiten



DATUM

24/04/2026

Pg

9/9

Images

