



DESIGN & APPLICATION ENGINEERS S.A.
ILEKTRAS 2 & KIMIS AVENUE, 15122 MAROUSSI
TEL +30 (210)6412233, 2810122 FAX +30 (210)6454825
e-mail: civeng@mhxme.gr web: www.mhxme.com

Details



DATE

04/26/2026

PAGE

1/12

New PAS GIANNINA Stadium

Date	Budget (€)	Employer
2010	50.00	PAS GIANNINA FC
	Owner	Place
		Ioannina

Sports complex with a football stadium with 20.000 spectators capacity, training center, athletic park, water park etc.



DESIGN & APPLICATION ENGINEERS S.A.
ILEKTRAS 2 & KIMIS AVENUE, 15122 MAROUSSI
TEL +30 (210)6412233, 2810122 FAX +30 (210)6454825
e-mail: civeng@mhxme.gr web: www.mhxme.com

Details



DATE

04/26/2026

PAGE

2/12

Architectural 3d View





DESIGN & APPLICATION ENGINEERS S.A.
ILEKTRAS 2 & KIMIS AVENUE, 15122 MAROUSSI
TEL +30 (210)6412233, 2810122 FAX +30 (210)6454825
e-mail: civeng@mhxme.gr web: www.mhxme.com

Details



DATE

04/26/2026

PAGE

3/12

Architectural 3d View





DESIGN & APPLICATION ENGINEERS S.A.
ILEKTRAS 2 & KIMIS AVENUE, 15122 MAROUSSI
TEL +30 (210)6412233, 2810122 FAX +30 (210)6454825
e-mail: civeng@mhxme.gr web: www.mhxme.com

Details



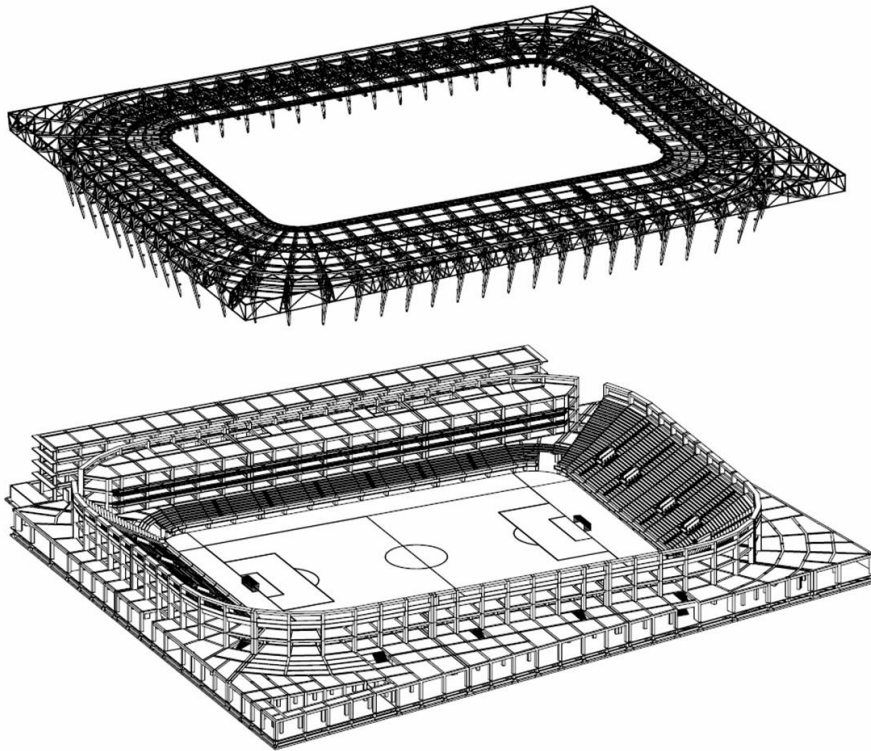
DATE

04/26/2026

PAGE

4/12

3d views of Stands and Roof



Π.Α.Ε. ΠΑΣ ΓΙΑΝΝΙΝΑ
ΝΕΟ ΓΗΠΕΔΟ ΠΑΣ ΓΙΑΝΝΙΝΑ

ΣΤΑΤΙΚΗ ΠΡΟΜΕΛΕΤΗ
ΦΕΒΡΟΥΑΡΙΟΣ 2010

ΑΡ. ΣΧΕΔΙΟΥ:
Σ12

ΤΙΤΛΟΣ ΣΧΕΔΙΟΥ:
3D ΑΠΕΙΚΟΝΙΣΗ ΓΗΠΕΔΟΥ

ΜΕΛΕΤΗ:
μηχανικοί μελετών
και εφαρμογών α.ε.





DESIGN & APPLICATION ENGINEERS S.A.
ILEKTRAS 2 & KIMIS AVENUE, 15122 MAROUSSI
TEL +30 (210)6412233, 2810122 FAX +30 (210)6454825
e-mail: civeng@mhxme.gr web: www.mhxme.com

Details



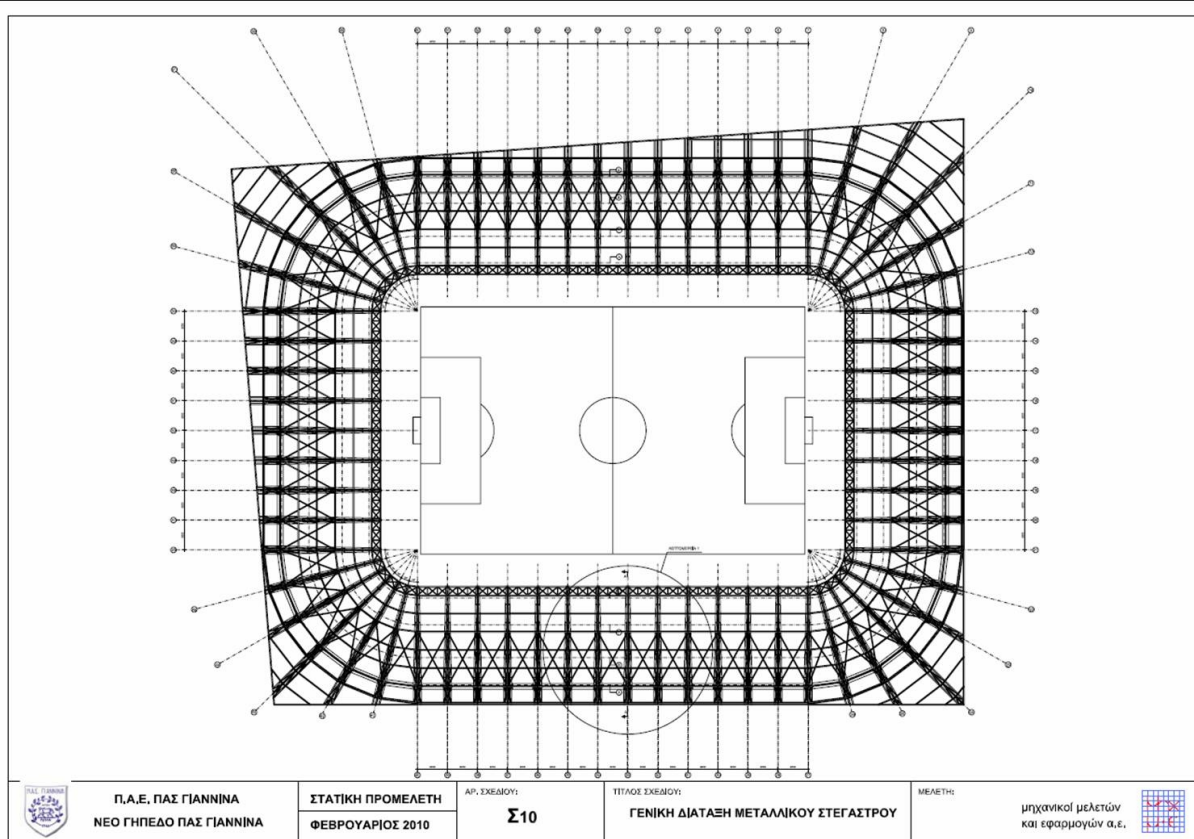
DATE

04/26/2026

PAGE

5/12

Steel Roof General Arrangement



Π.Α.Ε. ΠΑΣ ΓΙΑΝΝΙΝΑ
ΝΕΟ ΓΗΠΕΔΟ ΠΑΣ ΓΙΑΝΝΙΝΑ

ΣΤΑΤΙΚΗ ΠΡΟΜΕΛΕΤΗ
ΦΕΒΡΟΥΑΡΙΟΣ 2010

ΑΡ. ΣΧΕΔΙΟΥ:
Σ10

ΤΙΤΛΟΣ ΣΧΕΔΙΟΥ:
ΓΕΝΙΚΗ ΔΙΑΤΑΞΗ ΜΕΤΑΛΛΙΚΟΥ ΣΤΕΓΑΣΤΡΟΥ

ΜΕΛΕΤΗ:

μηχανικοί μελετών
και εφαρμογών α.ε.





DESIGN & APPLICATION ENGINEERS S.A.
ILEKTRAS 2 & KIMIS AVENUE, 15122 MAROUSSI
TEL +30 (210)6412233, 2810122 FAX +30 (210)6454825
e-mail: civeng@mhxme.gr web: www.mhxme.com

Details



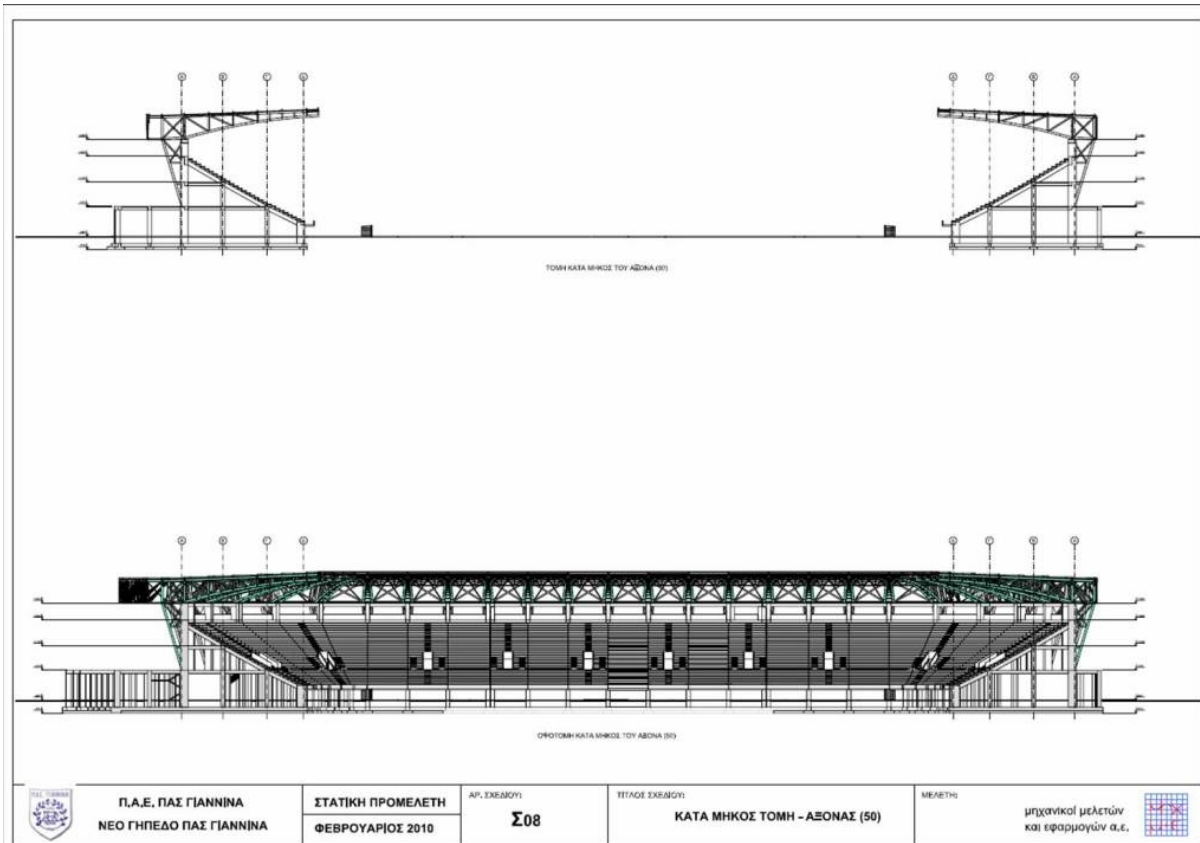
DATE

04/26/2026

PAGE

6/12

Section





DESIGN & APPLICATION ENGINEERS S.A.
ILEKTRAS 2 & KIMIS AVENUE, 15122 MAROUSSI
TEL +30 (210)6412233, 2810122 FAX +30 (210)6454825
e-mail: civeng@mhxme.gr web: www.mhxme.com

Details



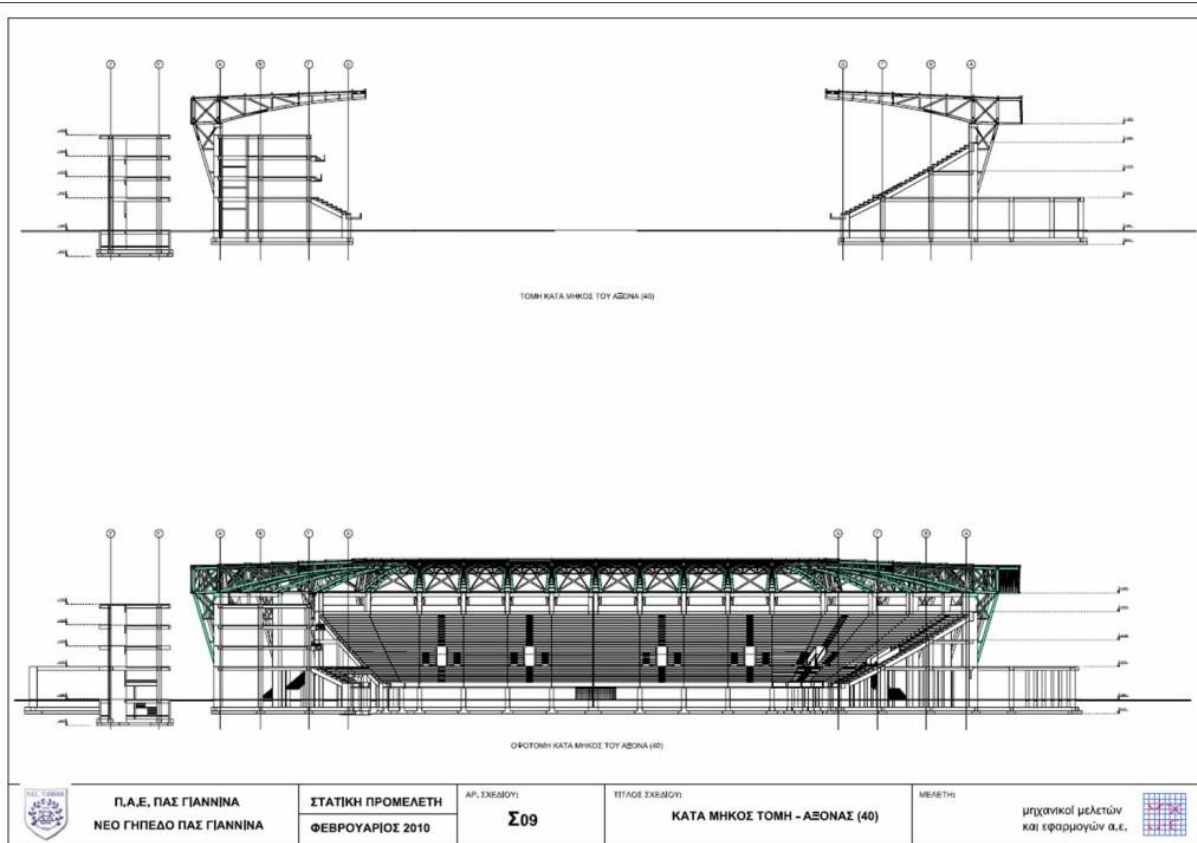
DATE

04/26/2026

PAGE

7/12

Section





DESIGN & APPLICATION ENGINEERS S.A.
ILEKTRAS 2 & KIMIS AVENUE, 15122 MAROUSSI
TEL +30 (210)6412233, 2810122 FAX +30 (210)6454825
e-mail: civeng@mhxme.gr web: www.mhxme.com

Details



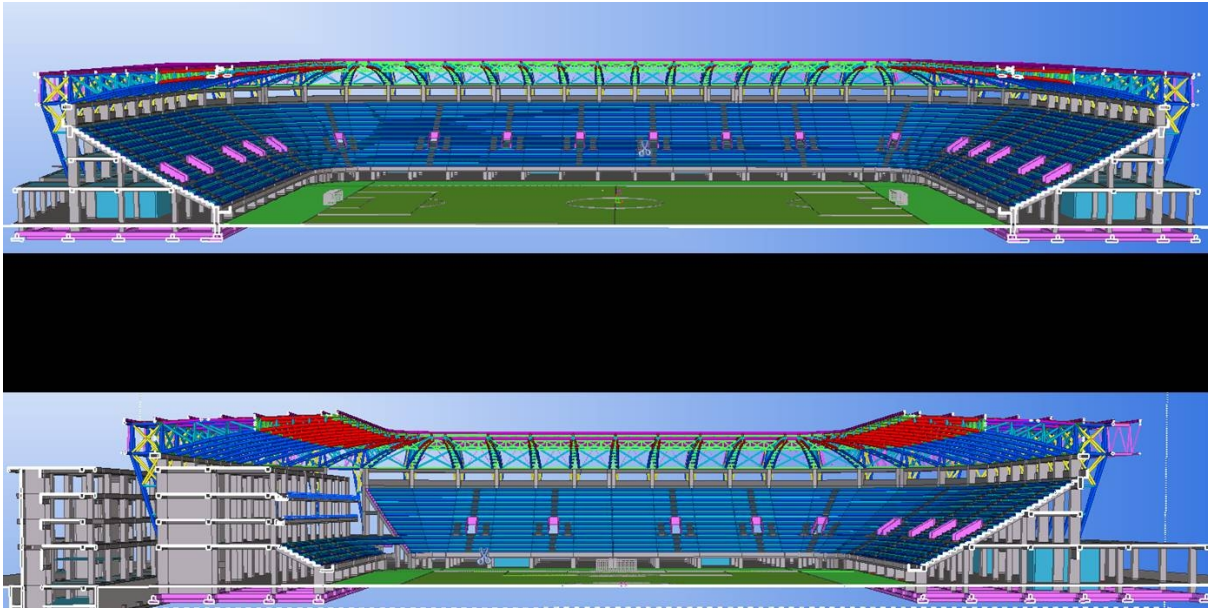
DATE

04/26/2026

PAGE

8/12

Sections





DESIGN & APPLICATION ENGINEERS S.A.
ILEKTRAS 2 & KIMIS AVENUE, 15122 MAROUSSI
TEL +30 (210)6412233, 2810122 FAX +30 (210)6454825
e-mail: civeng@mhxme.gr web: www.mhxme.com

Details



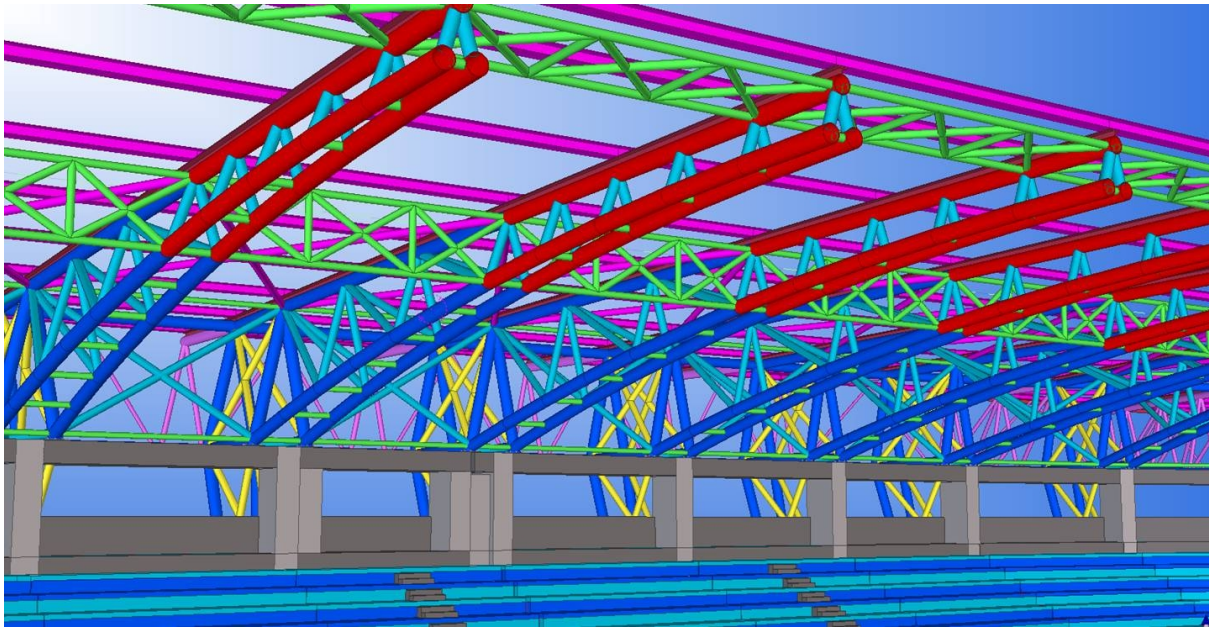
DATE

04/26/2026

PAGE

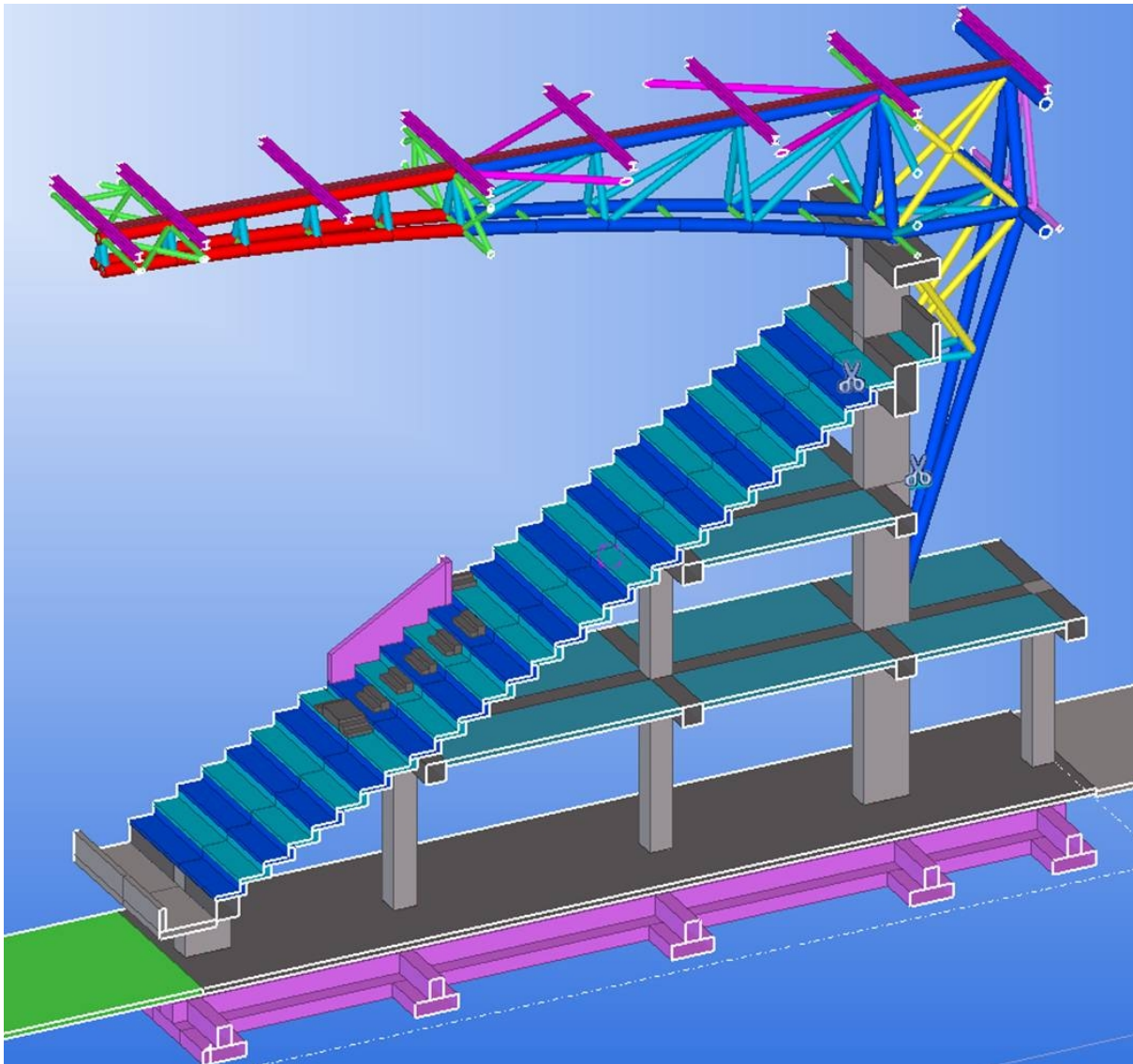
9/12

Steel Roof Partial View



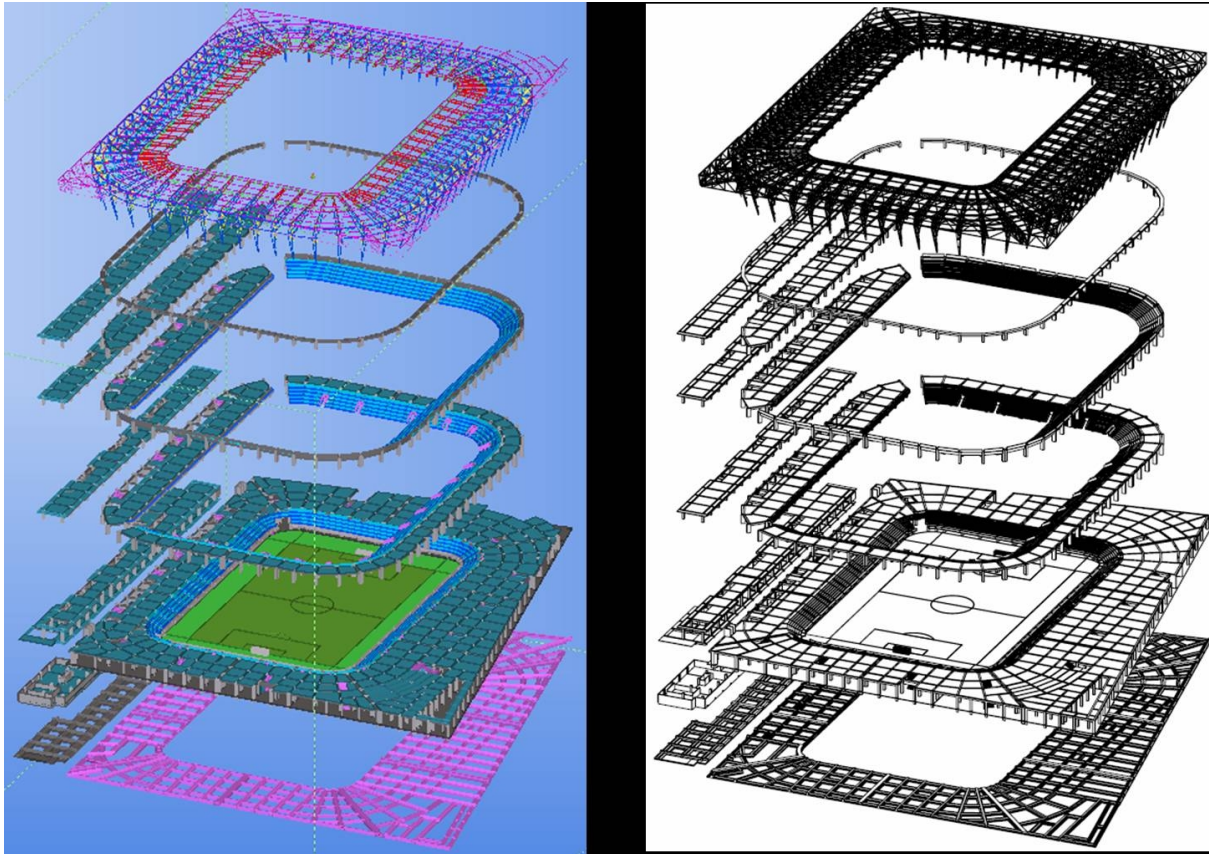


3d section of typical frame





3d view





DESIGN & APPLICATION ENGINEERS S.A.
ILEKTRAS 2 & KIMIS AVENUE, 15122 MAROUSSI
TEL +30 (210)6412233, 2810122 FAX +30 (210)6454825
e-mail: civeng@mhxme.gr web: www.mhxme.com

Details



DATE

04/26/2026

PAGE

12/12

Architectural detail of the connection to auxiliary building

