



DESIGN & APPLICATION ENGINEERS S.A.
ILEKTRAS 2 & KIMIS AVENUE, 15122 MAROUSSI
TEL +30 (210)6412233, 2810122 FAX +30 (210)6454825
e-mail: civeng@mhxme.gr web: www.mhxme.com

Details



DATE

04/26/2026

PAGE

1/14

Metropolitan Expo Athens

Date	Budget (€)	Employer
2007	26.00	ARCON CONSTRUCTIONS
	Owner	Place
	ATHENS METROPOLITAN EXPO S.A.	El. Venizelos Airport Athens

The best Exhibition and Conference Centre of Greece was constructed inside a 140,000 m2 plot at the El.Venizelos Athens International Airport, covering a 55,000 m2 area, out of which 45,000 m2 as Gross Leasable Area (GLA). It houses 4 exhibition halls and 2 conference halls with all supporting and administration areas.

Steel structure on concrete foundation.



DESIGN & APPLICATION ENGINEERS S.A.
ILEKTRAS 2 & KIMIS AVENUE, 15122 MAROUSSI
TEL +30 (210)6412233, 2810122 FAX +30 (210)6454825
e-mail: civeng@mhxme.gr web: www.mhxme.com

Details



DATE

04/26/2026

PAGE

2/14

General Overview





DESIGN & APPLICATION ENGINEERS S.A.
ILEKTRAS 2 & KIMIS AVENUE, 15122 MAROUSSI
TEL +30 (210)6412233, 2810122 FAX +30 (210)6454825
e-mail: civeng@mhxme.gr web: www.mhxme.com

Details



DATE

04/26/2026

PAGE

3/14

General Overview





DESIGN & APPLICATION ENGINEERS S.A.
ILEKTRAS 2 & KIMIS AVENUE, 15122 MAROUSSI
TEL +30 (210)6412233, 2810122 FAX +30 (210)6454825
e-mail: civeng@mhxme.gr web: www.mhxme.com

Details



DATE

04/26/2026

PAGE

4/14

Building views





DESIGN & APPLICATION ENGINEERS S.A.
ILEKTRAS 2 & KIMIS AVENUE, 15122 MAROUSSI
TEL +30 (210)6412233, 2810122 FAX +30 (210)6454825
e-mail: civeng@mhxme.gr web: www.mhxme.com

Details



DATE

04/26/2026

PAGE

5/14

Main entrance





DESIGN & APPLICATION ENGINEERS S.A.
ILEKTRAS 2 & KIMIS AVENUE, 15122 MAROUSSI
TEL +30 (210)6412233, 2810122 FAX +30 (210)6454825
e-mail: civeng@mhxme.gr web: www.mhxme.com

Details



DATE

04/26/2026

PAGE

6/14

Main entrance





DESIGN & APPLICATION ENGINEERS S.A.
ILEKTRAS 2 & KIMIS AVENUE, 15122 MAROUSSI
TEL +30 (210)6412233, 2810122 FAX +30 (210)6454825
e-mail: civeng@mhxme.gr web: www.mhxme.com

Details



DATE

04/26/2026

PAGE

7/14

Outdoor Detail





DESIGN & APPLICATION ENGINEERS S.A.
ILEKTRAS 2 & KIMIS AVENUE, 15122 MAROUSSI
TEL +30 (210)6412233, 2810122 FAX +30 (210)6454825
e-mail: civeng@mhxme.gr web: www.mhxme.com

Details



DATE

04/26/2026

PAGE

8/14

Entrance Lobby





DESIGN & APPLICATION ENGINEERS S.A.
ILEKTRAS 2 & KIMIS AVENUE, 15122 MAROUSSI
TEL +30 (210)6412233, 2810122 FAX +30 (210)6454825
e-mail: civeng@mhxme.gr web: www.mhxme.com

Details



DATE

04/26/2026

PAGE

9/14

Exhibition Hall 1





DESIGN & APPLICATION ENGINEERS S.A.
ILEKTRAS 2 & KIMIS AVENUE, 15122 MAROUSSI
TEL +30 (210)6412233, 2810122 FAX +30 (210)6454825
e-mail: civeng@mhxme.gr web: www.mhxme.com

Details



DATE

04/26/2026

PAGE

10/14

Congress Hall





DESIGN & APPLICATION ENGINEERS S.A.
ILEKTRAS 2 & KIMIS AVENUE, 15122 MAROUSSI
TEL +30 (210)6412233, 2810122 FAX +30 (210)6454825
e-mail: civeng@mhxme.gr web: www.mhxme.com

Details



DATE

04/26/2026

PAGE

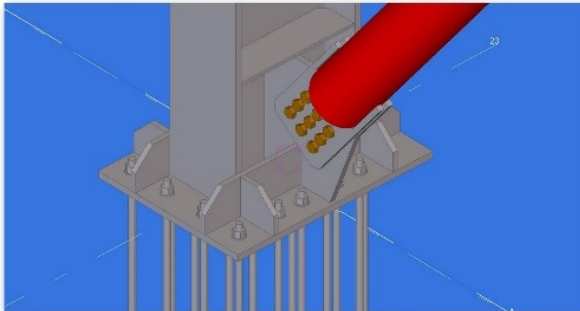
11/14

Construction stages



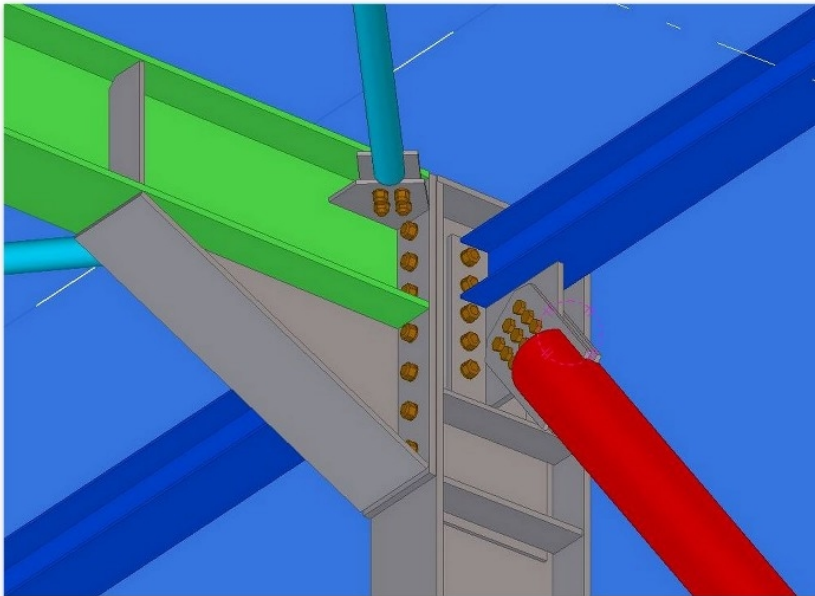


Column support detail-Model





Joint detail-Model





Bracing Detail-Model

